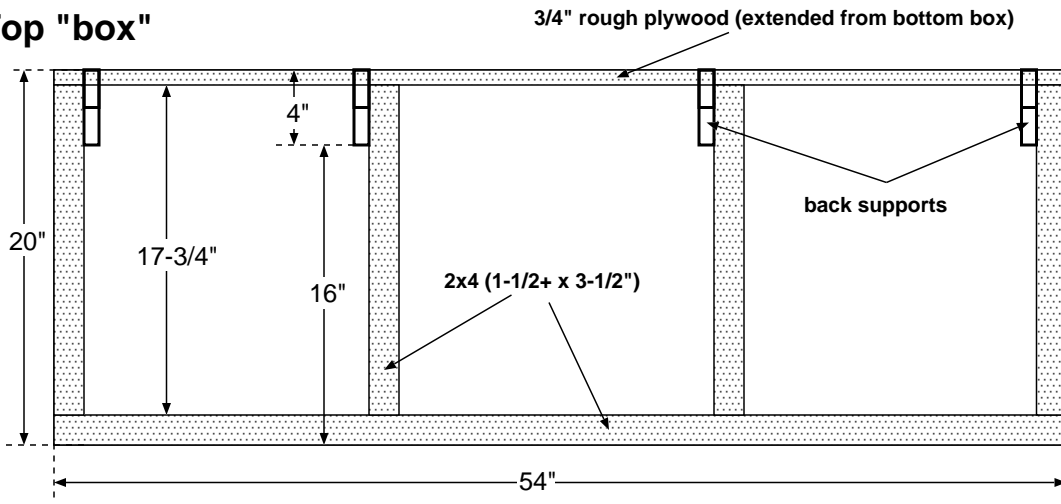


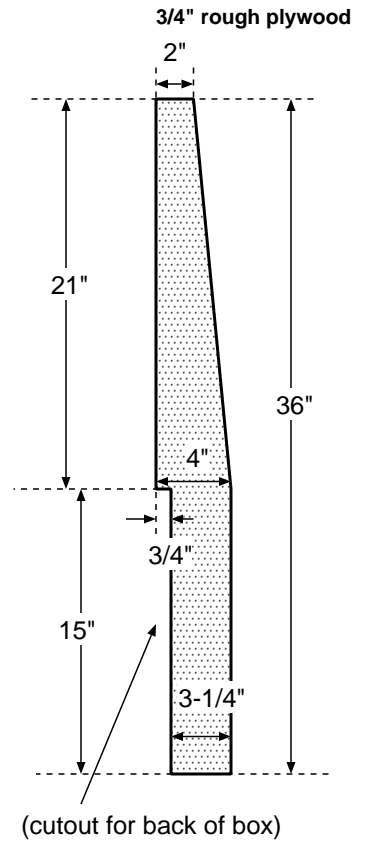
Farrell's Booth

1 cm = 4 inches

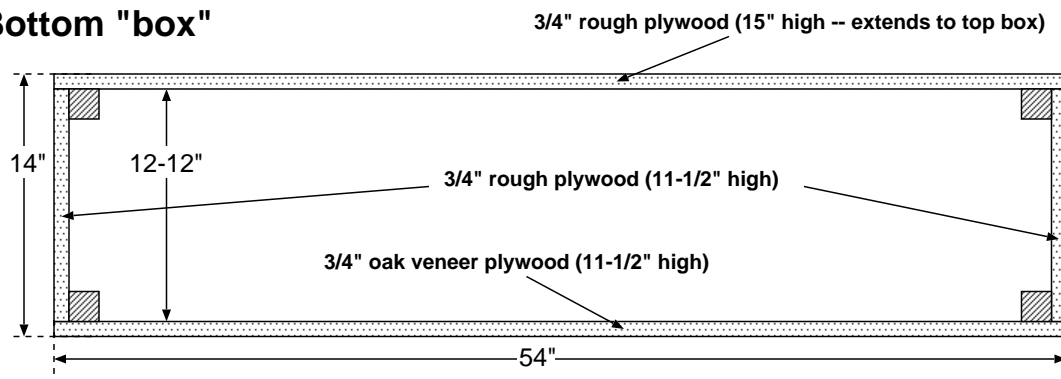
Top "box"



Back support



Bottom "box"



Side view

1x4 (3/4" x 3-1/2") oak, routed edges

